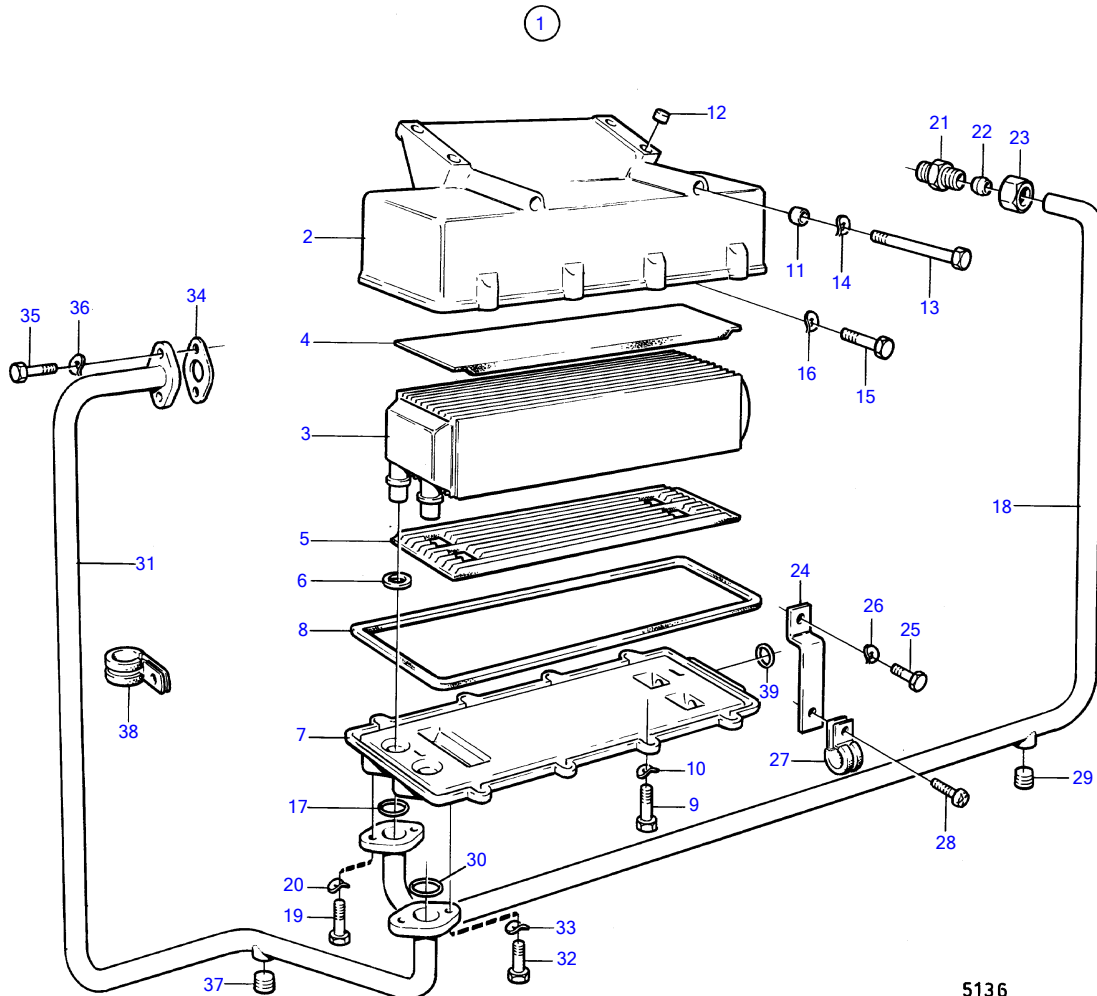
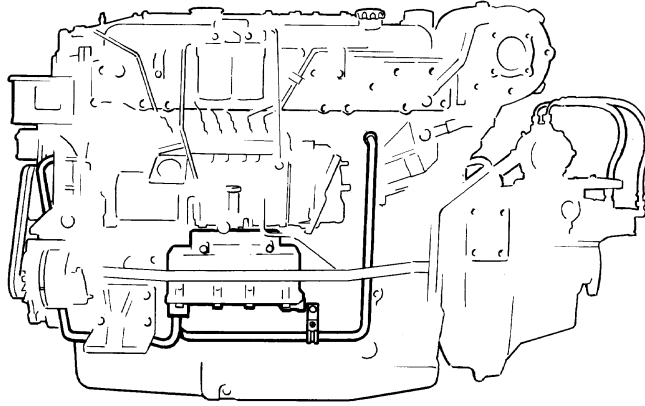


AQD70D, TAMD70D, TAMD70E



AQD70D, TAMD70D, TAMD70E

REF	PART NO.	QTY	DESCRIPTION	SEE SEC.	NOTES
1	(466644)	1	Oil cooler		Obsolete part
2	(466645)	1	• Housing		Obsolete part
3	466519	1	• Insert		
4	466674	1	• Seal		
5	466675	1	• Seal		
6	466521	2	• Sealing ring		
7	(466647)	1	• Cover		Obsolete part
8	471465	1	• Sealing ring		
9	940159	8	• Hexagon screw		
10	955894	1	• Washer		
11	(423161)	2	Guide sleeve		Obsolete part
12	417588	1	Guide sleeve		See group 2C
13	(959811)	2	Screw		Obsolete part
14	955898	2	Washer		
15	940115	2	Hexagon screw		
16	942336	2	Spring washer		
17	944988	1	O-ring		
18	(843936)	1	Coolant pipe		Obsolete part
19	955525	2	Hexagon screw		
20	941907	2	Spring washer		
21	(943192)	1	Nipple		Obsolete part
22	956972	1	Ferrule		
23	(956986)	1	Fitting nut		Obsolete part
24	(466804)	1	Bracket		Obsolete part
25	940133	1	Hexagon screw		
26	942336	1	Spring washer		
27	952630	1	Clamp		
28	950045	1	Cross recessed screw		
29	180759	1	Plug		
30	944988	1	O-ring		
31	(843937)	1	Coolant pipe		Obsolete part
32	955525	2	Hexagon screw		
33	941907	2	Spring washer		
34	420171	1	Gasket, gasket		TAMD70D, AQD70D
				16816	TAMD70E
				16817	
35	955524	2	Hexagon screw		
36	941907	2	Spring washer		
37	180759	1	Plug		
38	942810	1	Clamp		
39	943177	4	O-ring		See group 2A